

Intellian® FB500

Ultimate Marine FleetBroadband Antenna Systems



Ultimate global maritime terminal

Weighing 34.1lbs and 72cm high, the Intellian FB500 is an ultimate FleetBroadband maritime terminal.

Matching dome solutions

FB500 ships with an Intellian i6 dome as a standard, but various dome sizes are also available to match an Intellian t80W, t110W, t130W domes. Now you can select a perfectly matched dome for the best and balanced appearance on your vessel.

Reliable hardware

Operating on the Inmarsat FleetBroadband Satellite Systems and reliable mechanical construction, approved to Intellian standards, you can be confident of both the quality of the equipment and the global support behind it.

IP Handset

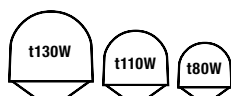
The rugged new plug-and-play IP Handset provides an intuitive user interface on a 2" TFT color screen and mobile phone type keys for making phone calls, texting SMS messages just like on shore.

Built-in Wi-Fi

With the standard built-in Wi-Fi feature, the web-based user interface can be accessed via any web browser including Wi-Fi enabled smartphones via the FB500's secure Wi-Fi (WLAN). The Wi-Fi connection also offers wireless Push-to-Talk (PTT) service to smartphone users using free PTT apps downloadable from smartphone (e.g. Zello) without having to add any additional hardware to the terminal.

Simultaneous voice and data access

With 432kbps data rates, FB500 provides simultaneous access to data services, voice and text messaging.



Optional radome sizes

Intellian

Connect with the best

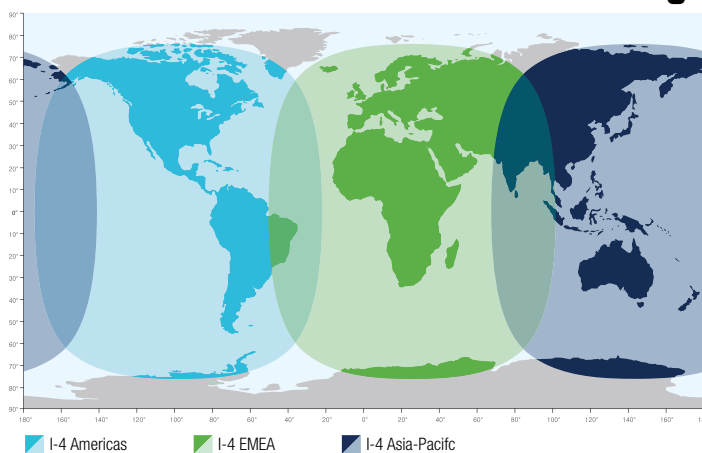
Intellian® FB500

Ultimate Marine FleetBroadband Antenna Systems

Technical Specifications

Physical	
ADU Dimensions	72cm x 70cm / 28.3" x 27.6"
ADU Weight	15.5kg / 34.1lbs
BDU Dimensions	36cm x 25cm x 6.7cm / 14.1" x 9.8" x 2.6"
BDU Weight	3.9kg / 8.5lbs
Environmental Conditions	
Operating Temp. Range	-25°C to +55°C / -13°F to +131°F
Operating Humidity	[ADU] EN60945, [BDU] 95% non-condensing at +40 °C
Water Ingress	[ADU] IP56, [BDU] IP31
Approvals	Inmarsat FleetBroadband/ R&TTE/ CE/ FCC
Warranty	3 years parts and 1 year labor
Global Services	
Voice	Digital 4kbps Voice, 3.1kHz Audio
Standard IP	Up to 432kbps
Streaming IP	8, 16, 32, 64, 128, 176, 256kbps
SMS	Up to 160 characters (3G standard)
Fax	Group 3 (via 3.1kHz Audio)
Airtime Service	Inmarsat airtime
Frequency Band	
Tx	1626.5MHz~1675.0MHz
Rx	1518.0MHz~1559.0MHz
Ch. Width	[Rx] 10.5~189kHz, [Tx] 21~189kHz
Power Supply and Consumption	
DC Input Range	10.0~32.0V DC (isolated)
Power (max)	150W @ 10.0~32.0V (including antenna)

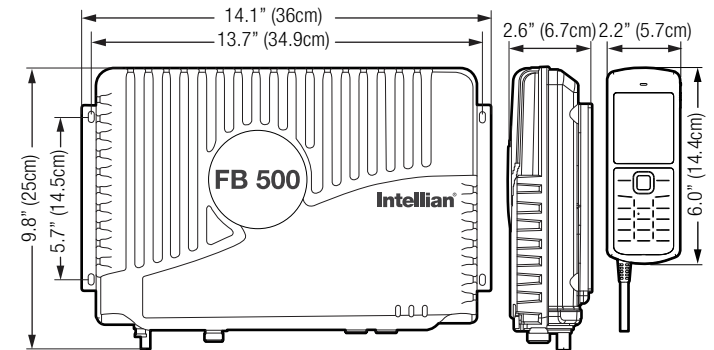
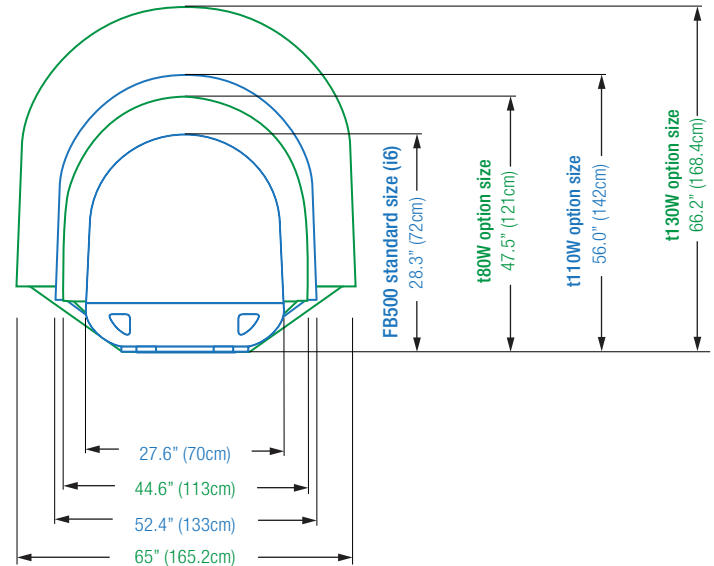
Inmarsat FleetBroadband Global Coverage



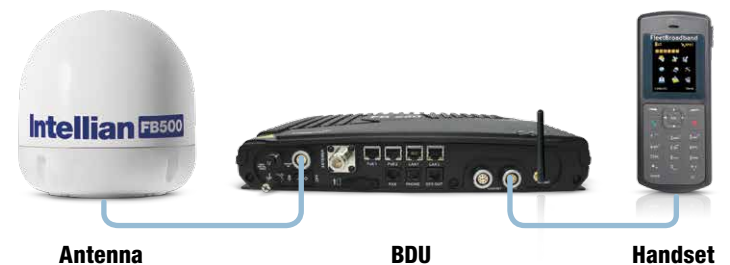
This map depicts Inmarsat's expectations of coverage, but does not represent a guarantee of service. The availability of service at the edge of coverage areas fluctuates depending on various conditions.

Systems Dimensions

ADU (Above Deck Unit) Matching Dome Options



Systems Diagram



Global HQ
 Innovation Center/Factory
 Intellian Technologies, Inc
 T +82 2 511 2244
 F +82 2 511 2235

APAC
 Seoul Office
 Intellian Technologies, Inc.
 T +82 2 511 2244
 F +82 2 511 2235

Americas HQ
 Irvine Office
 Intellian Technologies USA, Inc.
 T +1 949 727 4498
 F +1 949 271 4183
 Toll Free +1 888-201-9223

South America
 Rio de Janeiro Office
 Intellian do Brasil Tecnologia Ltda.
 T +55 21 3176 2048
 F +55 21 9612 1431

EMEA HQ
 Rotterdam Office
 Intellian B.V.
 T +31 1 0820 8655
 F +31 1 0820 8656

EMEA
 Southampton Office
 Intellian Ltd.
 T +44 2380 019 021
 F +44 2380 767 092